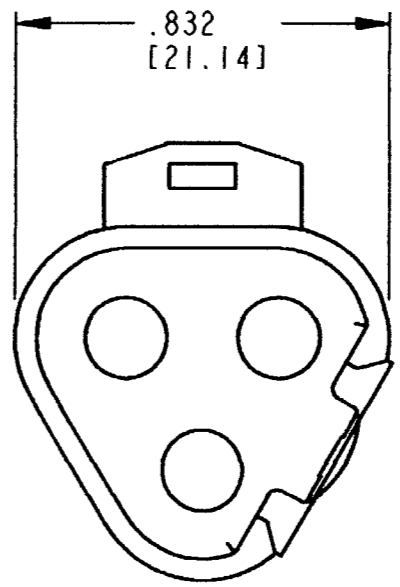
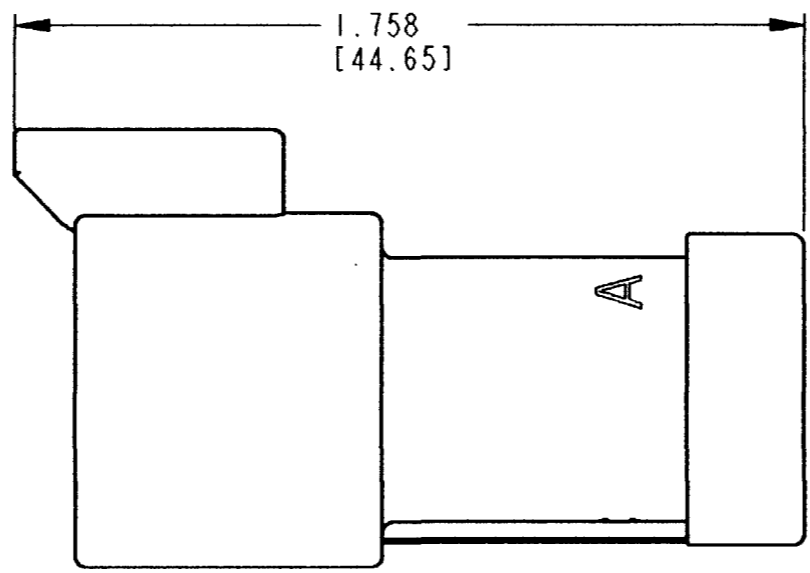
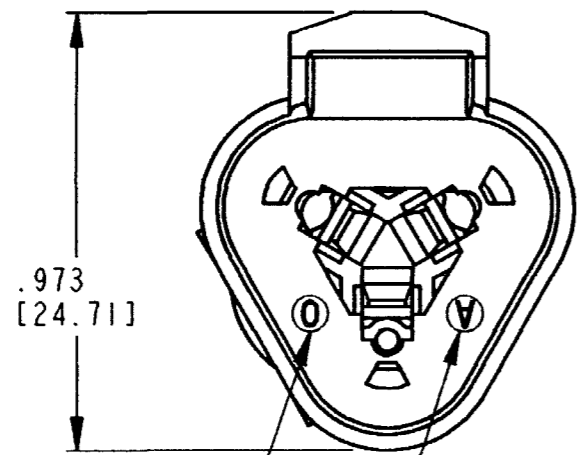


REV  
A DT04-3P-C017

REVISIONS			
SYM	DESCRIPTION	DATE	APPROVED
NC	NEW RELEASE PER E.O. P19341	8/15/06	R.D.R.
A	REVISED PER E.O. P19376	10-23-06	RDR



DATE CODE: SEQUENTIAL ALPHA CHARACTERS REPRESENT MONTH.  
(EX: A = JANUARY)

DATE CODE: YEAR REPRESENTED BY LAST NUMERICAL DIGIT.  
(EX: 0 = 2000)

- 4. MATERIAL: SHELL: PLASTIC; COLOR: GRAY.  
GROMMET: RUBBER.
- 3. THIS RECEPTACLE MATES WITH THE DT06-3S-\*\*\*\* PLUG. (\*\*\*\* = ALL MODIFICATIONS).  
CONSULT FACTORY FOR MODIFICATIONS.
- 2. ALL DIMENSIONS ARE ±.025 [.64] UNLESS OTHERWISE SPECIFIED.
- 1. ALL DIMENSIONS ARE INCHES [MILLIMETERS].

NOTES:

SIGNATURE & DATE	
DR	A. MALAGON 08AUG06
CHK	B. B... 10/20/06
PE	R. ... 09/10/06
APPD	Spend 10-13-06
SCALE	NONE WT

3 WAY RECEPTACLE  
W/ BLOCKED GROMMET  
-C017 MOD.  
DT SERIES

ENVELOPE

EP	MATL CODE
<b>The Deutch Company</b> DEUTSCH I.P.D. 3850 INDUSTRIAL AVE. HEMET, CALIF. 92545	
<b>B</b>	<b>DT04-3P-C017</b>
DWG SIZE	CODE 11139 SHEET   OF